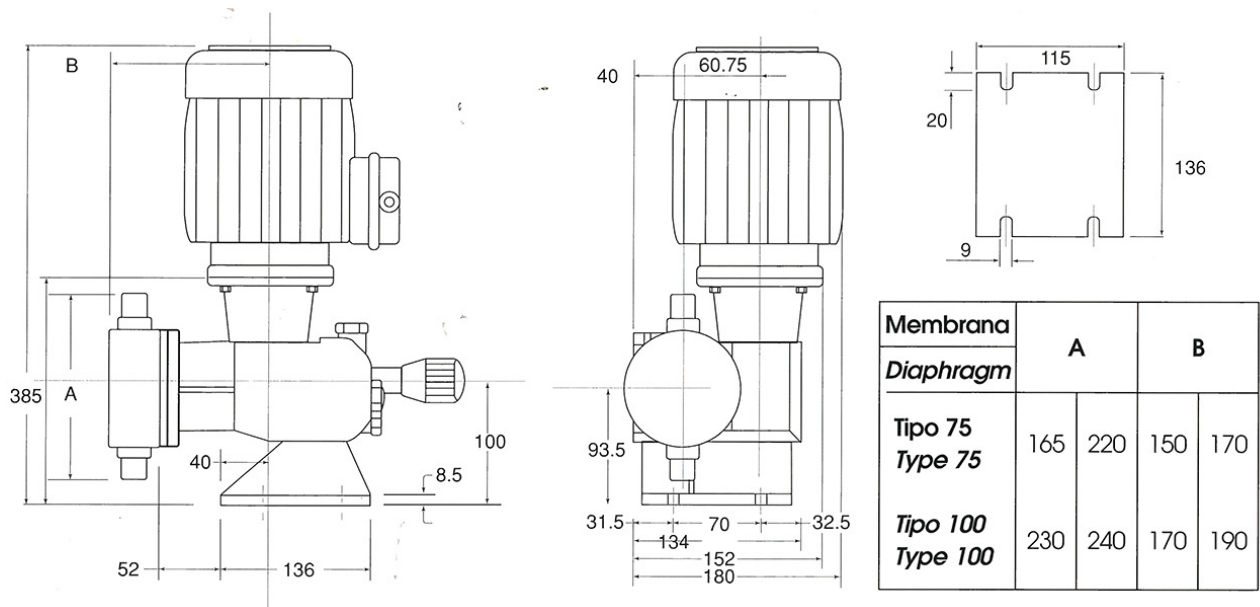




Performance

Model	Stroke mm	Diaphragm mm	Stroke per min.	Motor kW	Capacity It/h - BAR 0	Capacity It/h - BAR 3	Capacity It/h - BAR 6	Connections .01	Connections .03
UGD	10	75	40	0.18 6P	65	62	60	1/2" GM	1/2" GF
UGD	10	75	60	0.25 4P	100	85	80	1/2" GM	1/2" GF
UGD	10	75	120	0.25 4P	200	185	180	1/2" GM	1/2" GF
UGD	10	100	60	0.37 4P	210	180		1/2" GM	1/2" GF
UGD	10	100	120	0.37 4P	400	360		1/2" GM	1/2" GF

Overall dimensions



Building materials

Element

Pump Head AISI 316

Diaphragm NBR/PTFE

CONSTRUCTION .01

CONSTRUCTION .03

PVC

NBR/PTFE



D.P. POMPE s.r.l.

Element	CONSTRUCTION .01	CONSTRUCTION .03
Valve	AISI 316	PYREX
Valve Seat	AISI 316	PVC
Valve seal	PTFE	PTFE